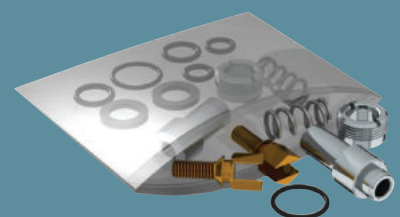
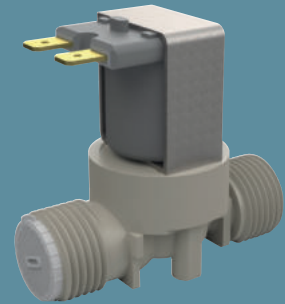
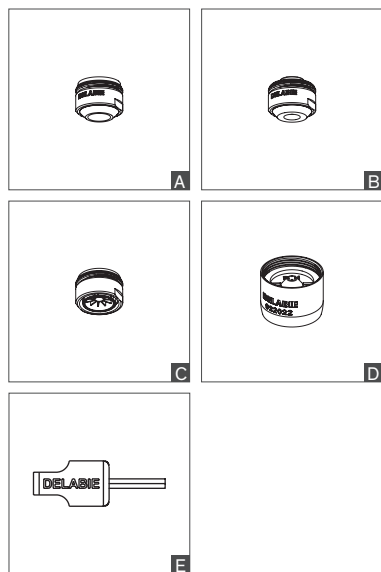


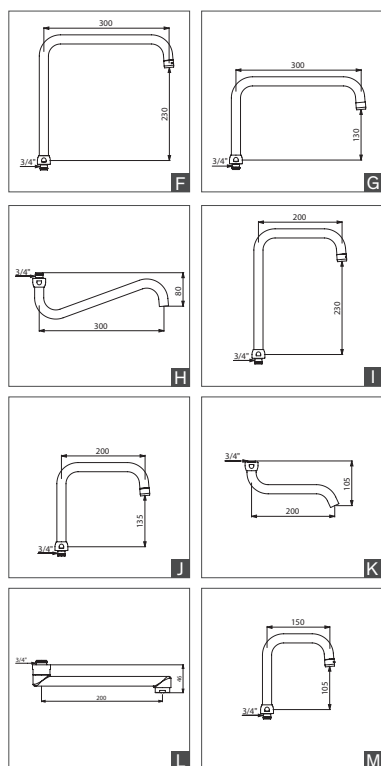
Spare parts





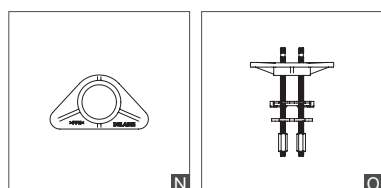
BIOSAFE OUTLETS, FLOW STRAIGHTENERS

BIOSAFE outlets free flow with no grids or partitions in contact with water (with brass collar)			
F22/100 (1 piece) for taps/mixers 25061T1, 2506T1 & H9726 (5 lpm max.)	923022	£7.69	-
F22/100 (50 pieces) for taps/mixers 25061T1, 2506T1 & H9726 (5 lpm max.)	923022.50P	£274.59	-
M24/100 (1 piece) for range 2520 (EP) (5 lpm max.)	923024	£7.69	A
M24/100 (50 pieces) for range 2520 (EP) (5 lpm max.)	923024.50P	£274.59	A
M24/100 (1 piece) for range 2620 (EP) (5 lpm max.)	926024	£7.69	-
M24/100 (1 piece) for range 2640/2641, 2564 & 2565 (5 lpm max.)	922640	£9.55	B
M16,5/100 (1 piece) for range 2920, 2664 & 2665 (5 lpm max.)	922660	£7.38	-
Hygienic flow straightener star-shaped without grid, reduces bacterial development (with brass collar)			
F22/100 (2 pieces)	921022.2P	£9.47	-
F22/100 (50 pieces)	921022.50P	£202.81	-
M24/100 (2 pieces)	921024.2P	£9.47	C
M24/100 (50 pieces)	921024.50P	£202.81	C
Flow straighteners at 3 lpm flow rate can be adjusted using 2.5mm (with brass collar)			
F22/100 with adjustable flow rate (2 pieces)	922022.2P	£10.80	D
M24/100 with adjustable flow rate (2 pieces)	922024.2P	£10.80	-
Key for adjustment (2.5mm Allen key)	C282025	£11.97	E
Removal tool for flow straighteners	222429	£4.38	-
Tamperproof screws TORX M5X25 + rawl plugs (4 pieces)	999049	£8.19	-
Non-return valves			
With flow rate regulator set at 6 lpm	900007	£10.76	-
For 3/8" connection	900010	£6.82	-



SPOUTS

Spouts L. 300mm			
Over spout Ø 22mm, H. 230mm			
with nut 3/4", flow straightener inserted	963300245F	£105.47	F
Over spout Ø 22mm, H. 120mm			
with nut 3/4", flow straightener inserted	963300145F	£102.38	G
Under spout Ø 22mm, H. 80mm			
with nut 3/4" and flow straightener, not threaded	943300110	£123.83	H
Spouts L. 200mm			
Over spout Ø 22mm, H. 230mm			
with nut 3/4", flow straightener set at 3 lpm (can be adjusted by 2.5mm Allen key)	963200245F	£83.17	I
Over spout Ø 22mm, H. 135mm			
with nut 3/4", flow straightener inserted	963200145F	£80.79	J
Under spout Ø 22mm, H. 105mm			
with nut 3/4" and flow straightener, not threaded, for mixer 2519	943200100M	£83.96	K
Swivelling under spout H. 46mm			
with nut 3/4", flow straightener inserted for 2436 mixers	943200	£69.86	-
Fixed under spout H. 46mm			
with nut 3/4", flow straightener inserted for 2437 mixers	947200	£64.31	L
Spouts L. 150mm			
Over spout Ø 22mm, H. 105mm			
with nut 3/4", flow straightener set at 3 lpm (can be adjusted by 2.5mm Allen key)	963150125F	£75.07	M
Over spout Ø 22mm, H. 100mm			
with nut 3/4" and BIOSAFE outlet	963150923F	£84.50	-
Swivelling under spout H. 46mm			
with nut 3/4", flow straightener inserted for 2446 mixers	943150	£64.54	-
Fixed under spout H. 46mm			
with nut 3/4", flow straightener inserted for 2445, 2446 and 2447 mixers	943151	£71.92	-



FIXINGS

Reinforced fixing kits for deck-mounted mixers/taps for basins			
Fixing plate	256P	£10.97	N
Fixing plate with threaded rods	256FIX	£13.74	O

SOLENOID VALVES

For basins, showers & WCs			
12V MM1/2" for TEMPOMATIC basin mixers/taps	495626	£55.34	A
12V MM1/2" for TEMPOMATIC 1 & 2, BINOPTIC basin mixers/taps	495612	£54.53	A
12V MM1" for TEMPOMATIC WC valves except 463326	461035	£120.89	-
12V MM1" for WC valves 463326	461034	£405.45	-
6V for TEMPOMATIC 3 basin mixers/taps	479651	£123.62	-
6V for TEMPOMATIC 4	479748	£123.62	B
6V for TEMPOMATIC 4 basin mixers/taps (with adjustable flow rate)	479650	£123.62	-
6 V pour TEMPOMATIC 5	479666	£117.11	-
6 V MM3/8" for TEMPOMATIC 1 & 2, BINOPTIC	495606	£123.62	-
6V MM½" for SECURITHERM shower panels	479662	£123.62	-
Electronic unit for TEMPOMATIC WC dual control	461032	£123.62	C

ELECTRONIC CONTROL UNITS

For basins, showers and WCs			
230/12V standard with "duty flush" option, with transformer for basins	495444BC	£227.03	D
230/12V multifunction with transformer for basins, showers, etc.	495445BC	£335.11	D
6V battery-operated for basins	495446BC	£391.02	D
6V with integrated batteries for TEMPOMATIC 3 basins	492446	£218.20	E
6V with integrated batteries for TEMPOMATIC 4 basins	490446	£218.22	F
6V for TEMPOMATIC 4 basins, mains supply	490450	£218.22	F
230/12V multifunction with transformer for dual flush type 463...	463000	£339.95	G

ELECTRICAL SUPPLY CABLES

For TEMPOMATIC 4 basins with mains supply			
6V recessed supply	490240	£107.53	H
6V plug supply	490241UK	£73.82	I
Extension	490230EXT	£23.48	-

SENSORS

For basins, showers and WCs			
With cable 0.10m	495009	£87.03	J
With cable 0.70m	495070	£97.65	J
With cable 1.50m	495149	£107.66	J
With cable 5.00m	495499	£163.53	J
For basins: BINOPTIC and TEMPOMATIC 2, cable 0.70m	CEL378V	£75.80	-
For basins: BINOPTIC and TEMPOMATIC 2, cable 1.50m	CEL378150V	£97.21	-
For basins: BINOPTIC and TEMPOMATIC 2, cable 5.00m	CEL378499V	£163.53	-
For TEMPOMATIC WCs automatic/voluntary, with cable	463399	£230.14	J

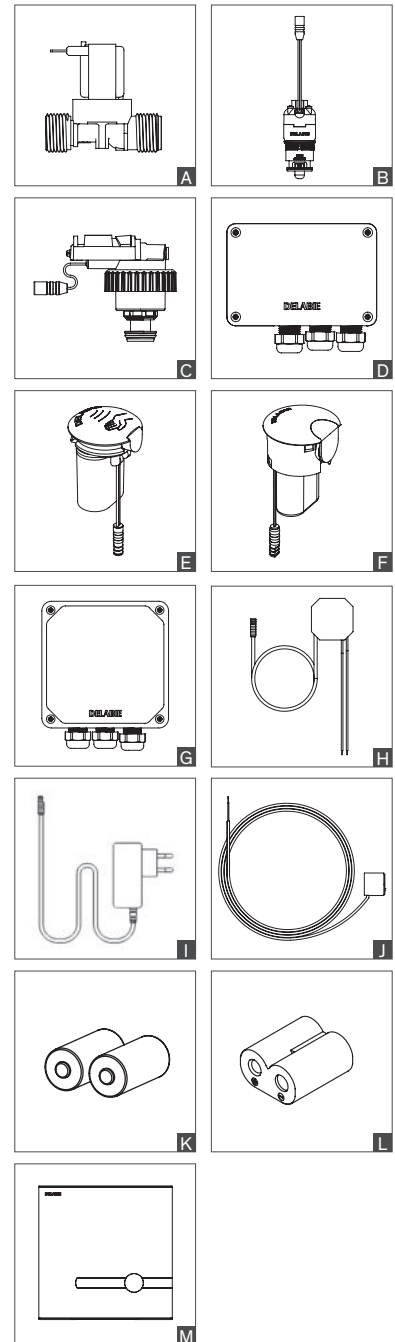
NB: cable cannot be extended or cut.

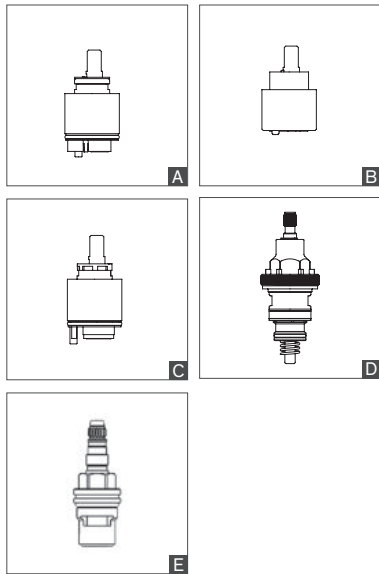
BATTERIES

For basins, showers and WCs			
2 × 3V Lithium batteries CR123 17345	990123	£21.29	K
1 × 6V Lithium battery 223 CR - P2	990223	£23.94	L

CONTROL PLATES WITH INTEGRATED ELECTRONICS

For TEMPOMATIC WC dual control			
Integrated 6V batteries - satin stainless steel finish	464PISP	£395.75	M
230/12V - satin stainless steel finish	464PISS	£469.18	M





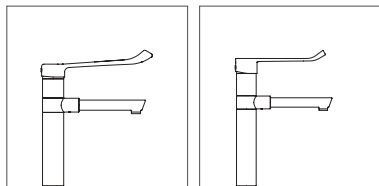
BASINS - SINKS AND SHOWERS

Mixers with ceramic cartridges

	Maintenance kit	Complete cartridge	Type
Ø 40mm cartridges			
Standard cartridges			
With base, with flow rate limiter			
2206, 2406, 2420, 2421, 2445, 2446, 2452, 2455, 2456, 2520, 2521, 20121, 20421, 2720, 2721, 2820, 2821 2539, 2739 (up to 10/2016) 2220, 2221 (up to 12/2019), 2565 (up to 10/2020)	-	- N009AG75	£41.22 A
With base, without flow rate limiter			
2211, 2211L (after 12/2017) 2239, 2252S, 2439, 2538, 2539, 2739	-	- N109AG75	£36.54 -
Without base, with flow rate limiter			
20164T1, 20164T4, 20464T1, 20464T4, 20870T1, 20870T3, 20871T1, 20871T3	753256	£9.76 N201AG75	£78.70 -
Without base, without flow rate limiter			
2210, 2519, 2543, 2597 2211, 2211L, 2599 (up to 12/2017)	-	- N148AA75	£35.27 -
2510	753256	£9.76 N148AA75	£35.27 -
Without base, with flow rate limiter			
2246, 2410, 2443, 2561C, 2562C, 2569, 2595, 20870 & 20164/20464 (up to 02/2012)	-	- N248AA75	£41.22 B
2564 (up to 10/2020), 2522, 2870 (up to 10/2021)	753256	£9.76 N248AA75	£41.22 B

New and old design

2870/2871 range



2870, 2871
Old design

2870, 2871
New design

Ø 35mm cartridges

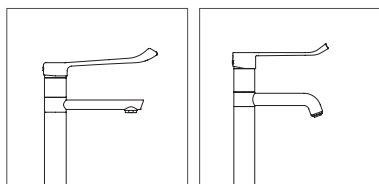
Standard cartridge with base

2506T2, 2506T3, 2542, 2599 2564Tx, 2565Tx (after 10/2020) 2870/2871 (after 10/2021)	-	- NS262	£41.22 -
2620, 2621, 2620MINI, 2621MINI	-	- NSB262	£41.22 -
2220, 2220L, 2221, 2221L (after 01/2020) 2506T1, 25061T1	-	- N222	£41.22 -

Standard sequential cartridge with base

2436, 2436S, 2437, 2437S	-	- N243I	£64.31 -
2640, 2640S, 2641, 2641S	-	- N243	£54.94 -

2564/2565 range



2564, 2565
Old design

2564, 2565
New design

Mixers with pressure-balancing ceramic cartridges

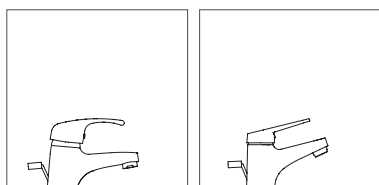
Ø 40mm cartridges with base

2211EP, 2211LEP, 2239EP, 2439EP, 2445EP, 2445LEP, 2446EP, 2446LEP, 2455EP, 2455LEP, 2456EP, 2456LEP, 2520EP, 2521EP, 2539EP, 2720TEP, 2721TEP, 2739EP, 2739TEP, 2820TEP, 2821TEP 2565TxEP (up to 10/2020)	-	- N252	£105.84 C
--	---	--------	-----------

Ø 35mm cartridges with base

2542EP, 2599EP, 2620EP, 2621EP, 2620MINIEP, 2621MINIEP, 2564TxEP, 2565TxEP (after 10/2020) 2870TxEP, 2871TxEP (after 10/2020)	-	- N262	£95.98 -
--	---	--------	----------

2220/2221 range



2220, 2221
Old design

2220, 2221
New design

Mixers with thermostatic cartridges

Sequential thermostatic cartridges

H9611P, H9614P, H9615	-	- N961	£201.74 -
H9600, H9605, H9612, H9613, H9620, H9625, H9642	-	- N960	£201.74 -
H9631, H9631L, H9633, H9633L	-	- N962	£218.91 -
H963015, H9630S, H9632, H9634, H9635, H9636, H963615, H9637, H9638, H963915, H964015, H9640S, H964115	-	- N963	£201.74 -

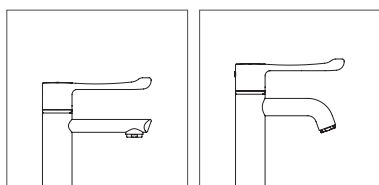
Thermostatic cartridges

H9739 & H9739S	-	- N97L	£176.40 -
H9741TP & H9752P	-	- N97LR	£176.40 D
H9716 & H9726	-	- N9726	£199.87 -
9768, 9769, H9768, H9768S, H9768TP, H9769 & H9769S	-	- N9769	£214.39 -
792400, 792410, 792...	-	- 743792	£140.62 -

½" ceramic head, ¼-turn

9741, H9716, H9726, H9739, H9752S	-	- 9741TET	£35.52 E
-----------------------------------	---	-----------	----------

H9600/H9605 range



H9600/H9605
Old design

H9600/H9605
New design

Mixers with valve head or ceramic head

	Maintenance kit	Complete cartridge	Type
Guided valve head Ø 22.5mm + cover			
for range 5800 except 5807 and 5808	-	- P120AA75	£97.48 -

Counterweight

	Maintenance kit		Complete cartridge		Type
Counterweight for mixers with retracting hand sprays					
2211, 2211EP, 2211L, 2211LEP, H9612, 1316 2599, 2599EP, H9613	2211CP	£12.68	-	-	A

BASINS - SINKS AND SHOWERS**Non-manual controls**

TEMPOGENOU 734100, 735100, 735000, 735400, 73544715	-	-	743305	£49.02	B
MONOFOOT 736001, 736101, 736102	753736	£22.17	-	-	-
MIXFOOT 739000, 739100, 739102	753739	£30.08	-	-	-

WC**Cartridges**

	Maintenance kit		Complete cartridge		Type
For TEMPOFLUX 2					
762901, 762902, 576211, 578300DE, 578305DE	-	-	743622	£79.89	C
762150	-	-	743623	£78.45	-
576227, 578400DE, 578405DE	-	-	743677	£116.50	-
For TEMPOFLUX 3					
763000, 763040, 763041	-	-	743765	£40.57	D

Control plates**For recessed TEMPOFLUX 3 WCs**

Satin stainless steel			763PIM	£121.07	-
Chrome-plated metal			763PMM	£215.41	-

BED PAN CLEANERS**½" Ceramic head, ¼-turn right**

158100, 2591, 2592, 2594	-	-	P482AJ75	£26.93	E
Nozzle					
15846, 434000, 434065	434000D	£7.21	-	-	F

GROUP THERMOSTATIC MIXING VALVES

	Maintenance kit				Type
For PREMIX COMPACT					
733015, 733016, 733020, 733021 (old design)	753733	£44.53			I
733015, 733020, 733115, 733116 (new design)	753734	£44.53			-
For PREMIX NANO					
732012, 732016, 732115, 732116, 732216	743732	£42.99			J
Connection kit ¾" for 732216	732515	£47.00			K

SOAP DISPENSERS

SOAP DISPENSERS					
729008, 729108, 729508	729302	£18.93	729308	£68.30	-
729012, 729112, 729512	729302	£18.93	729312	£73.53	-
729150, 729200	729302	£18.93	729303	£68.30	-

