

Recessed thermostatic sequential shower mixer

Ref. H9631

SECURITHERM mixer with no non-return valves, kit 2/2

2026 UK public price excluding VAT: £278.39







DESCRIPTION

Recessed thermostatic sequential shower mixer - Ref. H9631

SECURITHERM recessed thermostatic shower mixer, kit 2/2 :
 Thermostatic sequential shower mixer: opens/closes with cold water.
 Mixer with no non-return valves on the inlets (reduces bacterial development).
 No risk of cross flow between the hot and cold water.
 Sequential mixer with anti-scalding failsafe: shuts off immediately if cold water supply fails.
 Prevents cold showers: shuts off immediately if hot water supply fails.
 Sequential mixer with Securitouch thermal insulation prevents burns.
 Scale-resistant thermostatic sequential cartridge for adjusting flow rate and temperature.
 Temperature control from cold water up to 39°C with maximum temperature limiter set at 39°C.
 Thermal shocks are possible.
 Flow rate regulated at 9 lpm (mixer only), 6 lpm at 3 bar with shower head.
 ERGO controls.
 M³/₄" inlets with integrated filters.
 Order a wall-mounted outlet or shower head to complete.
 Bright polished stainless steel cover plate 166 x 166mm.
 Mixer ideal for healthcare facilities, retirement and care homes, hospitals and clinics.
 Sequential mixer ideal for people with reduced mobility.
 Shower mixer with 30-year warranty.
 Order with waterproof recessing housing ref. H96BOX.

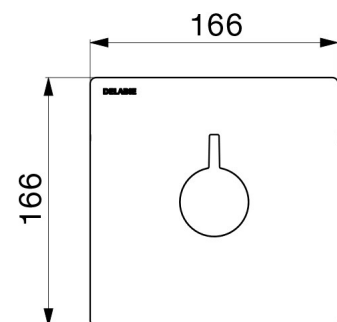
ADVANTAGES

-  Sequential: opens/closes with cold water
-  Maximum hygiene: no non-return valves
-  SECURITHERM: optimal anti-scalding safety
-  Thermostatic: total temperature stability

TECHNICAL CHARACTERISTICS

Recessed thermostatic sequential shower mixer - Ref. H9631

Technology	SECURITHERM Securitouch thermostatic sequential shower mixer
Height	166mm
Width	166mm
Flow rate	Flow rate regulated at 9 lpm (mixer only), 6 lpm at 3 bar with shower head
Temperature limiter	Yes
Finish	Chrome-plated brass



Norms



Warranty



Repairability

