

BIOSAFE sequential mechanical basin mixer

Ref. 2664T2

Tall single hole sequential mixer H. 160mm L. 250mm

2025 UK public price excluding VAT: £307.61

DESCRIPTION

BIOSAFE sequential mechanical basin mixer - Ref. 2664T2

Deck-mounted tall mechanical basin mixer. Sequential mechanical mixer: opens and closes with cold water over a range of 70°.

Single hole mixer with swivelling spout H. 160mm L. 250mm.

Tall mixer with BIOSAFE hygienic outlet suitable for fitting a BIOFIL terminal filter.

Ø 35 sequential ceramic cartridge with pre-set maximum temperature limiter. Spout with internal tube with smooth interior, with nowhere for bacteria to develop and very low water volume.

The speed of the water inside this tube reduces biofilm development considerably.

Thermal shocks are possible without removing the control lever or shutting off the cold water supply.

Body with very low water volume (fewer niches where bacteria can develop).

Flow rate regulated at 5 lpm.

Hygiene control lever L. 200mm requires no manual contact.

Rotating PEX flexibles F3/8".

No risk of cross flow between the hot and cold water.

No non-return valves on the inlets.

Fixings reinforced by 2 stainless steel rods.

Mixer ideal for healthcare facilities, retirement and care homes, hospitals and clinics.

Mixer suitable for people with reduced mobility.

30-year warranty.





TECHNICAL CHARACTERISTICS

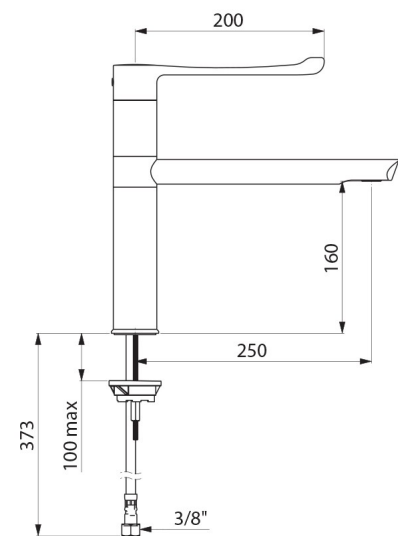
BIOSAFE sequential mechanical basin mixer - Ref. 2664T2

| | |
|---------------------|-----------------------------|
| Supply | 3/8" |
| Technology | Sequential mechanical mixer |
| Drop height | 160mm |
| Spout length | 250mm |
| Flow rate | 5 lpm |
| Temperature limiter | Yes |
| Finish | Chrome-plated brass |
| Norms | ACS |



ADVANTAGES

-  Sequential: opens/closes with cold water
-  Thermal shock without removing the control lever
-  Maximum hygiene: controls biofilm
-  No manual contact: Hygiene control lever



Warranty

