

Mechanical basin mixer

Ref. 2565T5

Single hole, single control tall mixer with ceramic cartridge

2026 UK public price excluding VAT: £236.02

DESCRIPTION

Mechanical basin mixer - Ref. 2565T5

Deck-mounted mechanical basin mixer.
 Single hole, single control mixer with fixed spout H. 205mm L. 170mm.
 Tall mixer with BIOSAFE hygienic outlet suitable for fitting a BIOFIL point-of-use filter.
 Ø 35 classic ceramic cartridge with pre-set maximum temperature limiter.
 Body and spout with smooth interiors (limits bacterial development).
 No risk of cross flow between the hot and cold water.
 No non-return valves on the inlets.
 Thermal shocks are possible without removing the control lever or shutting off the cold water supply.
 Flow rate regulated at 5 lpm.
 Chrome-plated brass body and base.
 Hygiene control lever L. 185mm requires no manual contact.
 PEX flexibles F3/8".
 Fixing reinforced via 2 stainless steel rods.
 Mechanical mixer ideal for healthcare facilities, retirement and care homes, hospitals and clinics.
 Single hole mixer suitable for people with reduced mobility.
 Mixer with 30-year warranty.

TECHNICAL CHARACTERISTICS





Mechanical basin mixer - Ref. 2565T5

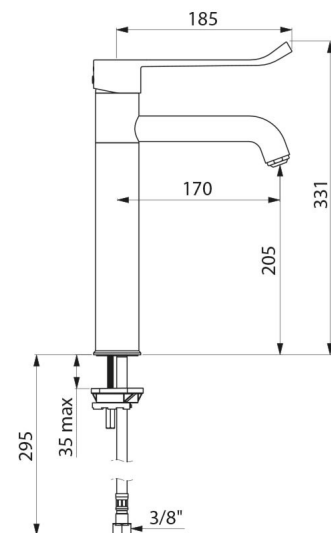
| | |
|---------------------|---------------------|
| Connector | F3/8" |
| Height | 331mm |
| Drop height | 200mm |
| Spout length | 170mm |
| Flow rate | 5 lpm |
| Temperature limiter | Yes |
| Finish | Chrome-plated brass |

| | |
|----------|---|
| Norms |     |
| |  |
| Warranty |  |



ADVANTAGES

-  Hygiene: smooth interior reduces bacterial growth
-  Thermal shocks are possible without removing lever
-  Pre-set maximum temperature limiter
-  No manual contact: Hygiene lever



Repairability

