

SECURITHERM EP pressure-balancing basin mixer

Ref. 2564T2EP

Tall single hole single control mixer with EP pressure-balancing

2026 UK public price excluding VAT: £307.47

DESCRIPTION

SECURITHERM EP pressure-balancing basin mixer - Ref. 2564T2EP

Deck-mounted basin mixer with SECURITHERM pressure-balancing. Single hole, single control mixer with swivelling spout H. 165mm L. 220mm. Tall mixer with BIOSAFE hygienic outlet suitable for fitting a BIOFIL point-of-use filter.

Anti-scalding safety: HW flow reduces if CW supply fails (and vice versa). Ø 35mm ceramic cartridge with pressure balancing and pre-set maximum temperature limiter.

Body and spout with smooth interiors (reduces bacterial development). Thermal shocks are possible without removing the control lever or shutting off the cold water.

Flow rate regulated at 5 lpm.

Chrome-plated brass body and base.

Hygiene control lever L. 185mm requires no manual contact.

PEX flexibles F3/8" with filters and non-return valves.

Fixing reinforced via by 2 stainless steel rods.






Pressure-balancing mixer ideal for use in healthcare facilities, retirement and care homes, hospitals and clinics.

Single hole mixer suitable for people with reduced mobility.

Mixer with 30-year warranty.

TECHNICAL CHARACTERISTICS

SECURITHERM EP pressure-balancing basin mixer - Ref. 2564T2EP

Connector	F3/8"
Technology	SECURITHERM EP
Height	322mm
Drop height	165mm
Spout length	220mm
Flow rate	5 lpm
Temperature limiter	Yes
Finish	Chrome-plated brass
Norms	   
Warranty	



ADVANTAGES



EP: HW flow reduces if CW supply fails



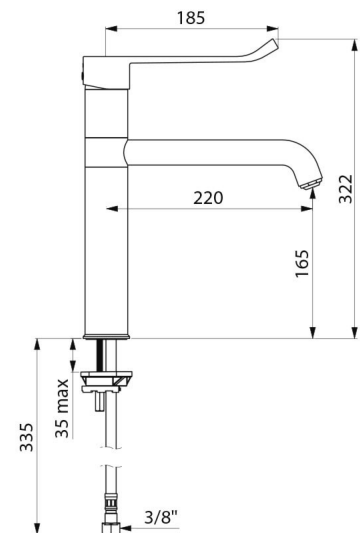
EP: reduces pressure variations



Thermal shocks are possible without removing lever



Hygiene: smooth interior reduces bacteria



Repairability

