

TEMPOMATIC tap with BIOCLIP removable spout



Ref. 20804T215

Wall-mounted electronic tap with mains supply

2026 UK public price excluding VAT: £567.50







DESCRIPTION

TEMPOMATIC tap with BIOCLIP removable spout - Ref. 20804T215

Wall-mounted electronic basin tap for installation on panels.
 Electronic tap with removable BIOCLIP spout.
 Infrared tap supplied with 2 removable stainless steel spouts L. 77mm.
 Separate IP65 electronic control unit.
 230/12V mains supply with transformer.
 Base and spout with smooth interiors (reduces bacterial development).
 Adjustable duty flush (pre-set at ~60 seconds every 24 hours after last use).
 Flow rate limited to 4 lpm at 3 bar.
 Shock-resistant infrared presence detection sensor.
 Separate sensor for mounting on panels.
 M3/8" solenoid valve with filter and Ø 15mm conical inlets.
 Ø 60mm chrome-plated brass base.
 Anti-blocking security.
 Recommended installation height: 110 - 200mm above the basin surface.
 Electronic tap ideal for healthcare facilities, retirement and care home, hospitals and clinics.
 Electronic tap suitable for people with reduced mobility.
 30-year warranty.
 Two shut-off options:
 - standard mode: timed flow with automatic shut-off.
 - ON/OFF mode: user shuts off flow voluntarily or automatic shut-off after 30 minutes of flow.
 Thermal shocks are possible.
 Mount the sensor to the side of the tap in the ON/OFF mode.

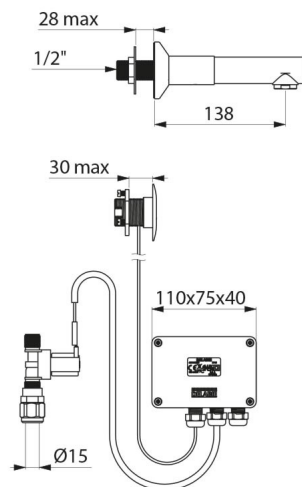
ADVANTAGES

-  Automatic duty flush limits bacterial development
-  Hygiene: spout can be removed and descaled inside
-  Hygiene: smooth interior reduces bacteria
-  No manual contact: infrared sensor

TECHNICAL CHARACTERISTICS

TEMPOMATIC tap with BIOCLIP removable spout - Ref. 20804T215

Connector	Ø 15mm
Technology	Wall-mounted electronic tap
Depth	138mm
Spout length	77mm
Flow rate	4 lpm at 3 bar
Finish	Chrome-plated brass



Norms 

Warranty 

Repairability

