

BIOCLIP mechanical basin mixer

Ref. 2820L

Single hole removable mechanical mixer H.95mm L.120mm, Hygiene lever

2026 UK public price excluding VAT: £401.36

DESCRIPTION

BIOCLIP mechanical basin mixer - Ref. 2820L

Deck-mounted mechanical basin mixer.
BIOCLIP mechanical mixer: mixer can be removed entirely for cleaning and disinfection.

Single hole mixer with spout H. 95mm L. 120mm fitted with a hygienic BIOSAFE nozzle.

Spout suitable for fitting a BIOFIL point-of-use filter.

Ø 35mm ceramic cartridge with pre-set maximum temperature limiter.

Body and spout with smooth interiors and low water volume.

No risk of cross flow between the hot and cold water.

No non-return valves on the inlets.

Flow rate regulated at 5 lpm.

Hygiene control lever 150mm.

Ergonomic, brass pop-up waste 1 1/4".

Supplied with PEX flexibles F3/8" with stopcocks in chrome-plated brass.

Fixing reinforced by 2 stainless steel rods.

Mechanical mixer ideal for healthcare facilities, retirement and care homes, hospitals and clinics.

Single hole mixer suitable for people with reduced mobility.

Mixer with 30-year warranty.

Also available with copper tails.

TECHNICAL CHARACTERISTICS

BIOCLIP mechanical basin mixer - Ref. 2820L

Connector	F3/8"
Technology	BIOCLIP removable mixer
Drop height	95mm
Spout length	120mm
Flow rate	5 lpm
Temperature limiter	Yes
Finish	Chrome-plated brass

Norms



Warranty



ADVANTAGES



Hygiene: remove for internal cleaning



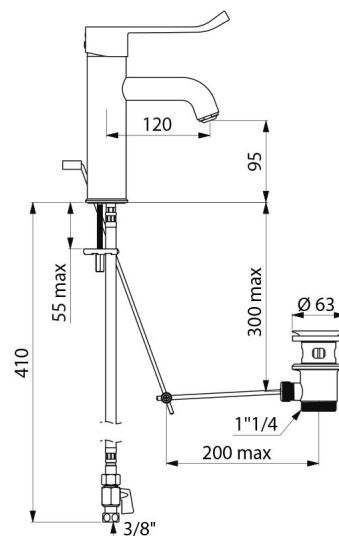
Hygiene: smooth interior reduces bacteria



Pre-set maximum temperature limiter



Hygiene lever: no manual contact



Repairability

