

SECURITHERM EP BIOSAFE pressure-balancing basin mixer

Ref. 2920LEP

Single hole basin mixer H.100 L.110

DESCRIPTION

SECURITHERM EP BIOSAFE pressure-balancing basin mixer - Ref. 2920LEP

Deck-mounted mechanical basin mixer with pressure-balancing. Single hole mixer with spout H. 100mm L. 110mm fitted with a BIOSAFE hygienic outlet. Spout suitable for fitting a BIOFIL point-of-use filter. Ø 35mm ceramic cartridge with pressure-balancing and pre-set maximum temperature limiter. Anti-scalding safety: HW flow rate is reduced if CW supply fails (and vice versa). Stable temperature regardless of pressure and flow rate variations in the system. Spout with a tube with a smooth interior, no niches where bacteria can develop, and low water volume. The speed with which the water flows through the tube considerably reduces biofilm development. Thermal shocks are possible without removing the lever or shutting off the cold water supply. Body with very low water volume (reduces bacterial development). Flow rate regulated at 5 lpm. Hygiene control lever L. 150mm. Ergonomic, brass pop-up waste, 1 1/4". F3/8" rotating PEX flexibles with filters and non-return valves. Fixing reinforced via 2 stainless steel rods. Mechanical mixer with SECURITHERM pressure-balancing ideal for healthcare facilities, retirement and care homes, hospitals and clinics. Single hole mixer suitable for people with reduced mobility. 30-year warranty.





TECHNICAL CHARACTERISTICS

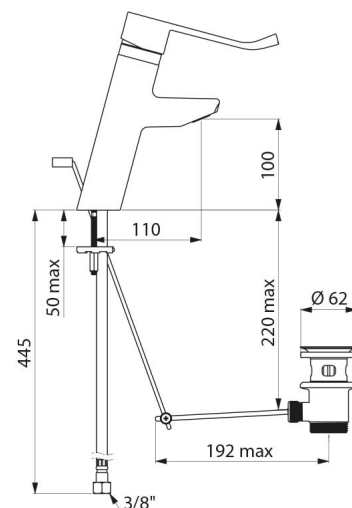
SECURITHERM EP BIOSAFE pressure-balancing basin mixer - Ref. 2920LEP

Connector	F3/8"
Technology	SECURITHERM EP BIOSAFE mechanical mixer
Drop height	100mm
Spout length	110mm
Flow rate	5 lpm
Temperature limiter	Yes
Finish	Chrome-plated brass



ADVANTAGES

-  HW flow rate reduced if CW supply fails
-  Hygiene: body with very low water volume
-  Thermal shock without removing control lever
-  Pre-set maximum temperature limiter



Norms



ACS



Warranty



Repairability

