

## SECURITHERM EP pressure-balancing sink mixer

Ref. 2564T4EP

Tall single hole, single control mixer with EP cartridge

### DESCRIPTION

**SECURITHERM EP pressure-balancing sink mixer - Ref. 2564T4EP**

Deck-mounted SECURITHERM sink mixer with pressure-balancing. Single hole, single control mixer with swivelling spout H. 305mm L. 220mm. Tall mixer with hygienic flow straightener suitable for fitting a BIOFIL point-of-use filter.

Anti-scalding safety: HW flow reduces if CW supply fails (and vice versa). Stable temperature regardless of pressure and flow rate variations in the system.

Ø 35mm ceramic cartridge with pressure balancing and pre-set maximum temperature limiter.

Body and spout with smooth interiors (reduces bacterial development).

Thermal shocks are possible without removing the control lever or shutting off the cold water.

Flow rate limited to 9 lpm at 3 bar.

Chrome-plated brass body and base.

Hygiene control lever L. 185mm requires no manual contact.

PEX flexibles F3/8" with filters and non-return valves.

Fixings reinforced via 2 stainless steel rods.





Mechanical mixer with pressure-balancing ideal for healthcare facilities, retirement and care homes, hospitals and clinics.

Single hole mixer suitable for people with reduced mobility.

Mixer with 30-year warranty.

### TECHNICAL CHARACTERISTICS

**SECURITHERM EP pressure-balancing sink mixer - Ref. 2564T4EP**

Connector	F3/8"
Technology	SECURITHERM EP
Height	462mm
Drop height	305mm
Spout length	220mm
Flow rate	9 lpm at 3 bar
Temperature limiter	Yes
Finish	Chrome-plated brass
Norms	   



### ADVANTAGES



EP: HW flow reduces if CW supply fails



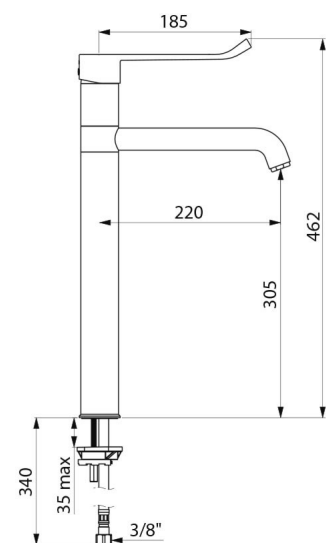
EP: reduces pressure variations



Thermal shocks are possible without removing lever



Hygiene: smooth interior reduces bacteria



---

Warranty



---

Repairability

