

SECURITHERM EP pressure-balancing basin mixer

Ref. 2720LEP

Mechanical single hole mixer H. 95mm L. 120mm

DESCRIPTION

SECURITHERM EP pressure-balancing basin mixer - Ref. 2720LEP

Deck-mounted mechanical basin mixer with pressure-balancing. Single hole mixer with curved spout H. 95mm L. 120mm fitted with a hygienic flow straightener.

Spout suitable for fitting a BIOFIL point-of-use filter.

Ø 35mm ceramic cartridge with pressure-balancing and a pre-set maximum temperature limiter.

Total anti-scalding safety: HW flow rate reduced if CW supply fails (and vice versa).

Stable temperature regardless of pressure and flow rate variations in the system.

Body and spout with smooth interiors and low water volume.

Flow rate limited to 5 lpm at 3 bar.

Hygiene control lever L. 150mm.

Ergonomic, brass pop-up waste 1 1/4".

F3/8" PEX flexibles with filters and non-return valves.

Fixing reinforced via 2 stainless steel rods.

Mechanical mixer with SECURITHERM pressure-balancing ideal for healthcare facilities, retirement and care homes, hospitals and clinics.

Single hole mixer suitable for people with reduced mobility.

Mixer with 30-year warranty.

TECHNICAL CHARACTERISTICS

SECURITHERM EP pressure-balancing basin mixer - Ref. 2720LEP

Connector	F3/8"
Technology	SECURITHERM EP mechanical mixer
Drop height	95mm
Spout length	120mm
Flow rate	5 lpm at 3 bar
Temperature limiter	Yes
Finish	Chrome-plated brass

Norms



Warranty



ADVANTAGES



HW flow rate reduced if CW fails



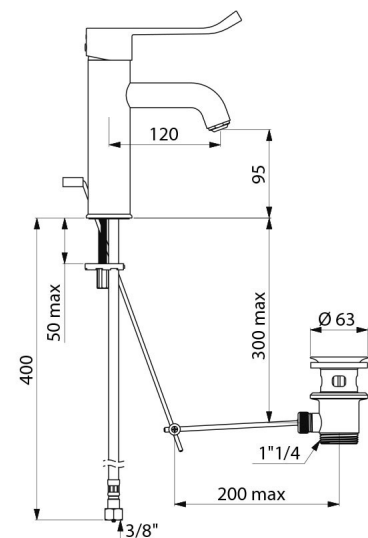
EP: reduces temperature variations



Hygiene: smooth interior reduces bacteria



Maximum hygiene: low water volume



Repairability

