

Mechanical basin mixer

Ref. 2565T5

Single hole, single control tall mixer with ceramic cartridge

DESCRIPTION

Mechanical basin mixer - Ref. 2565T5

Deck-mounted mechanical basin mixer.
 Single hole, single control mixer with fixed spout H. 205mm L. 170mm.
 Tall mixer with BIOSAFE hygienic outlet suitable for fitting a BIOFIL point-of-use filter.
 Ø 35 classic ceramic cartridge with pre-set maximum temperature limiter.
 Body and spout with smooth interiors (limits bacterial development).
 No risk of cross flow between the hot and cold water.
 No non-return valves on the inlets.
 Thermal shocks are possible without removing the control lever or shutting off the cold water supply.
 Flow rate regulated at 5 lpm.
 Chrome-plated brass body and base.
 Hygiene control lever L. 185mm requires no manual contact.
 PEX flexibles F3/8".
 Fixing reinforced via 2 stainless steel rods.
 Mechanical mixer ideal for healthcare facilities, retirement and care homes, hospitals and clinics.
 Single hole mixer suitable for people with reduced mobility.
 Mixer with 30-year warranty.

TECHNICAL CHARACTERISTICS





Mechanical basin mixer - Ref. 2565T5

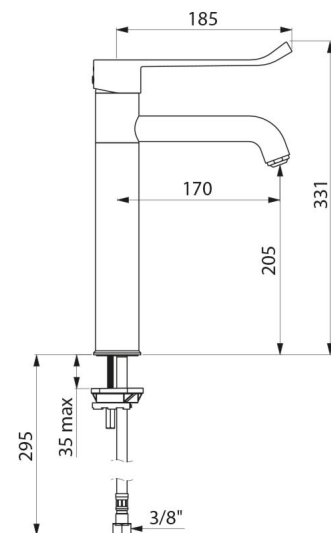
Connector	F3/8"
Height	331mm
Drop height	200mm
Spout length	170mm
Flow rate	5 lpm
Temperature limiter	Yes
Finish	Chrome-plated brass

Norms	   
	
Warranty	



ADVANTAGES

- 
 Hygiene: smooth interior reduces bacterial growth
- 
 Thermal shocks are possible without removing lever
- 
 Pre-set maximum temperature limiter
- 
 No manual contact: Hygiene lever



Repairability

