

Be-Line drop-down support rail, L. 650mm, anthracite

Ref. 511960C

Powder-coated, metallised anthracite





DESCRIPTION

Be-Line drop-down support rail, L. 650mm, anthracite - Ref. 511960C

Be-Line drop-down support rail for people with reduced mobility. In the lowered position use as a grab bar, as a support for standing and for assisting movement, for WCs or showers. Allows side access in the raised position. Removable: easy to remove with anti-theft locking system. Reduces the number of grab bars in a facility, allowing installation only when required. Example: hotels or hospitals providing short-term accommodation for disabled people. Drop-down rail with slowed down descent. Retained in upright position. Aluminium tube. Rounded profile Ø 42mm with ergonomic flat front face that prevents rotation for an optimal grip. Metallised anthracite powder-coated aluminium finish provides a good visual contrast with light-coloured walls. Anti-bacterial treatment: optimal protection against bacterial development. Uniform surface for easy maintenance and hygiene. Concealed fixings, secured to wall by a 304 stainless steel plate, 5mm thick. Supplied with stainless steel screws Ø 8 x 70mm for concrete walls. Dimensions: 650 x 210 x 120mm. Tested to over 200kg. Maximum recommended user weight: 135kg. Drop-down rail with 30-year warranty. CE marked.

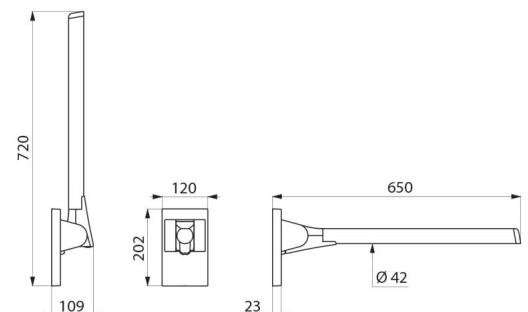
ADVANTAGES

-  Innovative design suitable for all users
-  Removable: easy to unclip
-  Comfort: ergonomic flat face prevents rotation
-  Tested to over 200kg

TECHNICAL CHARACTERISTICS

Be-Line drop-down support rail, L. 650mm, anthracite - Ref. 511960C

Height	210mm
Length	650mm
Width	120mm
Diameter	Ø 42mm
Finish	Powder-coated metallised anthracite aluminium



Norms	 
-------	---

Warranty	
----------	---