

SECURITHERM thermostatic basin mixer

Ref. H9726

Single hole, dual control tall mixer H. 205 L. 150

DESCRIPTION

SECURITHERM thermostatic basin mixer - Ref. H9726

SECURITHERM thermostatic dual control basin mixer. Tall, single hole mixer with swivelling spout H. 205mm L. 150mm with smooth interior.

Spout with BIOSAFE hygienic outlet, suitable for fitting a BIOFIL filter. Anti-scalding failsafe: shuts off immediately if the cold or hot water supply fails.

Scale-resistant thermostatic cartridge for temperature control.

¼-turn ceramic head for adjusting the flow rate.

Temperature can be adjusted: cold water up to 41°C.

Two temperature limiters: first temperature limiter set at to 38°C (can be overridden), and second temperature limiter set at 41°C.

Thermal shocks are easy to undertake without removing the control knob or shutting off the cold water supply.

Flow rate regulated at 5 lpm.

ERGO control knobs.

Ergonomic brass pop-up waste, 1" 1/4.

PEX flexibles F3/8" with filters and non-return valves.

Fixing reinforced via 2 stainless steel rods.

Thermostatic mixer ideal for healthcare facilities, retirement and care homes, hospitals and clinics.

Mixer suitable for people with reduced mobility.

Mixer with 30-year warranty.

TECHNICAL CHARACTERISTICS

SECURITHERM thermostatic basin mixer - Ref. H9726

Connector	F3/8"
Technology	SECURITHERM thermostatic mixer
Height	307mm
Drop height	205mm
Spout length	150mm
Flow rate	5 lpm
Temperature limiter	Yes
Finish	Chrome-plated brass

Norms



ADVANTAGES



SECURITHERM: Optimum anti-scalding safety



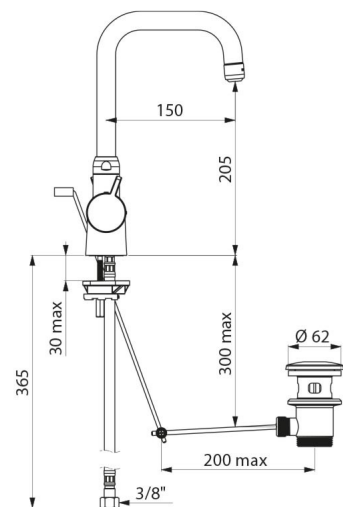
Hygiene: smooth interior reduces bacteria



Thermostatic: total temperature stability



Thermal shock possible without removing the lever



Warranty



Repairability

